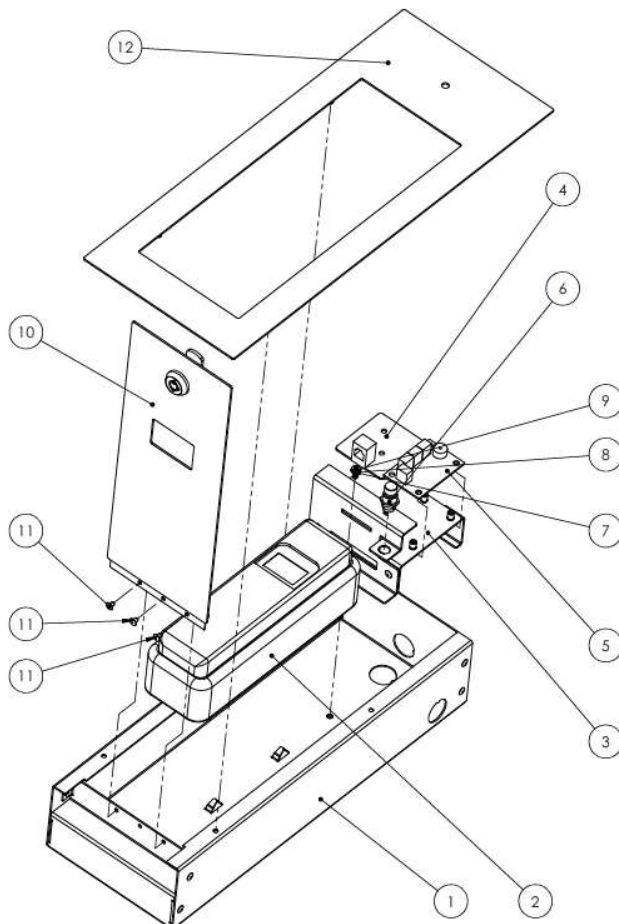
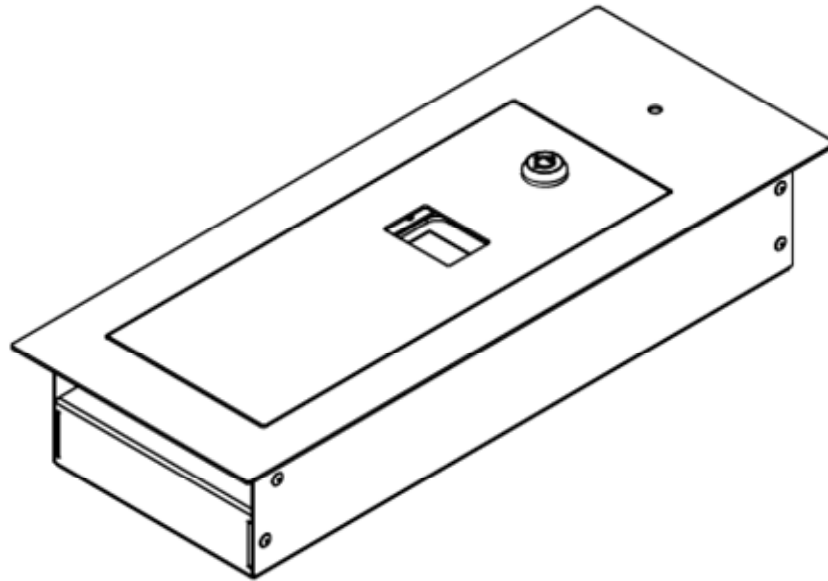


**EMC-FRM-ALRM Flush-Mount Remote Phone
with Elevator Communication Failure and Status display**



1. Base
2. Handset with Display
3. Mount for Alarm PCB & phone jack
4. Phone jack
5. PLM Alarm PCB
6. Silence button
7. Fasteners
8. Fasteners
9. Fasteners
10. Door with display window
11. Fasteners
12. Front plate with alignment adjustment