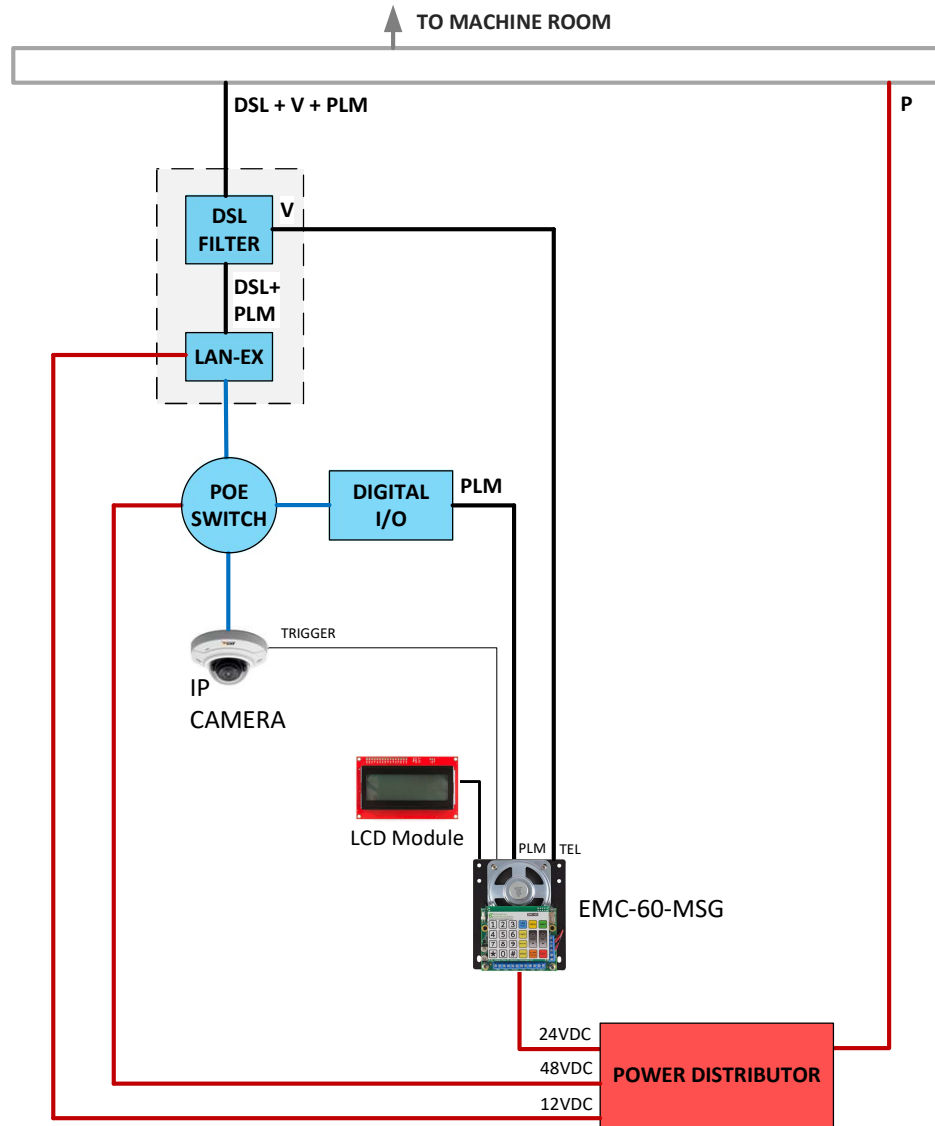






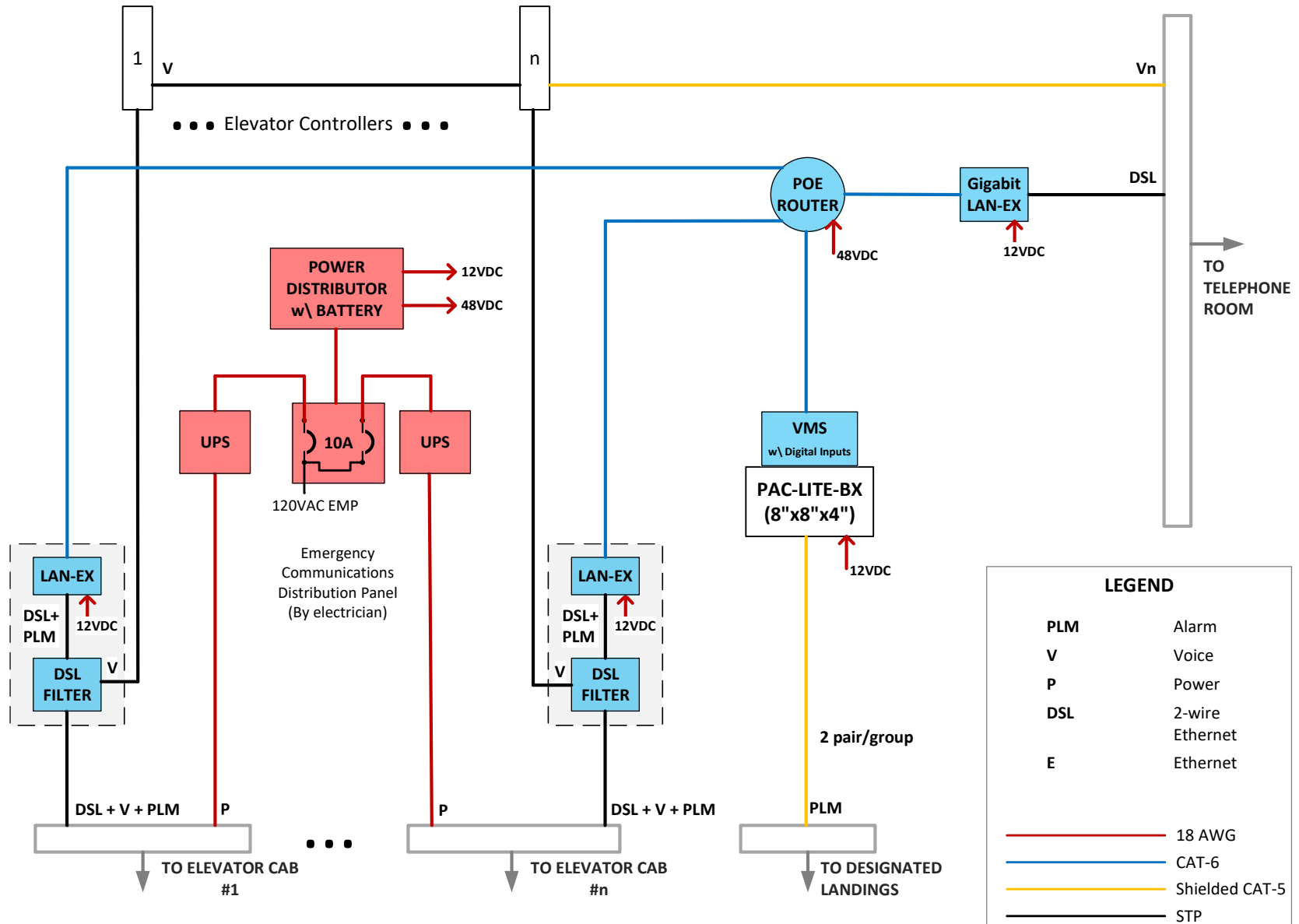
ELEVATOR CAB



LEGEND	
PLM (ECF)	Alarm
V	Voice
P	Power
DSL	2-wire Ethernet
E	Ethernet
	18 AWG
	CAT-6
	STP

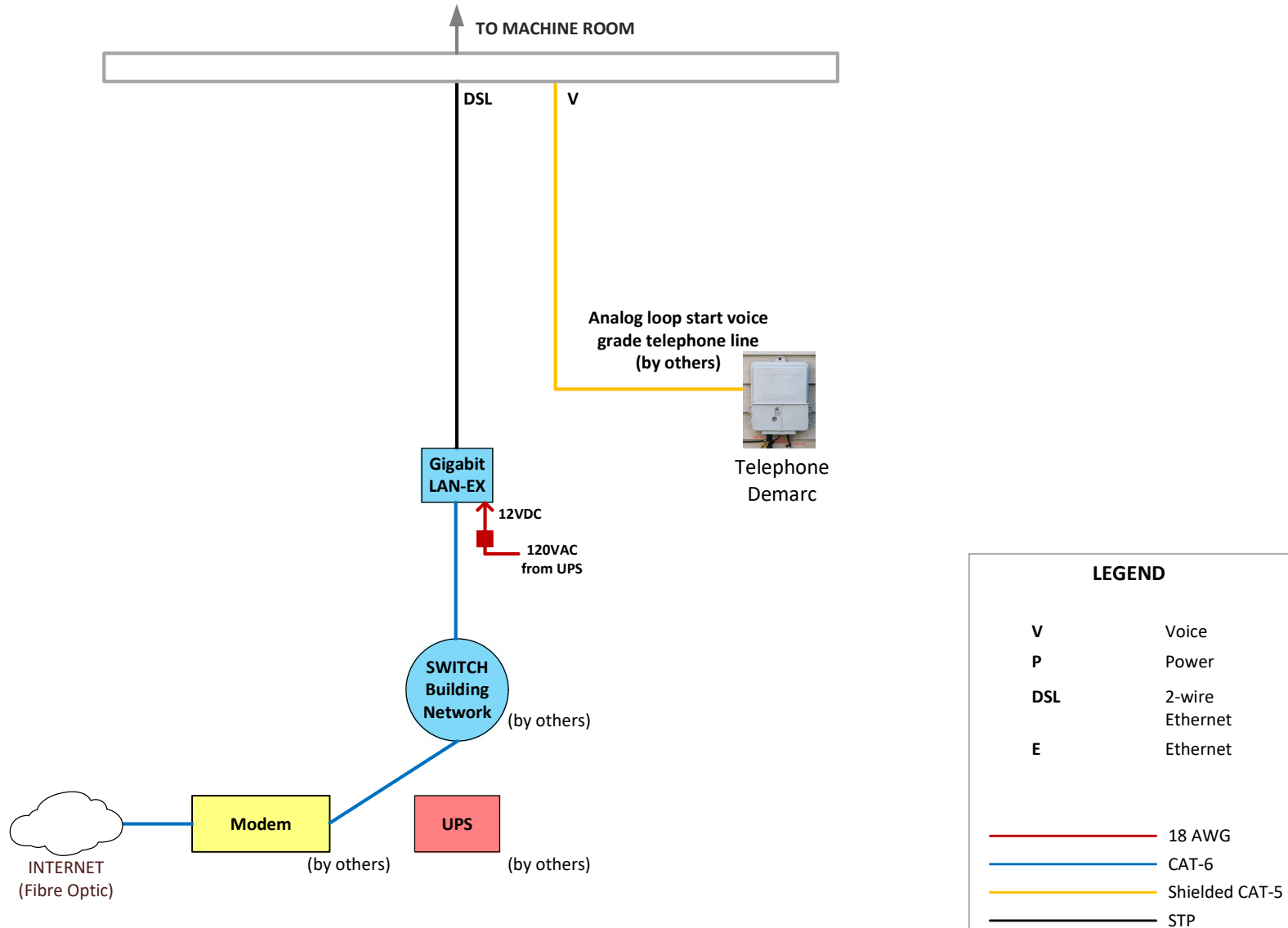
	File Subject	W002 Low-Rise 2019 Code R2.pdf For Low-Rise 2019 Code	Last Updated	May 3, 2020
	Author	EmerCom Engineering support@emercom.ca	Revision Page	2 of 4

MACHINE ROOM



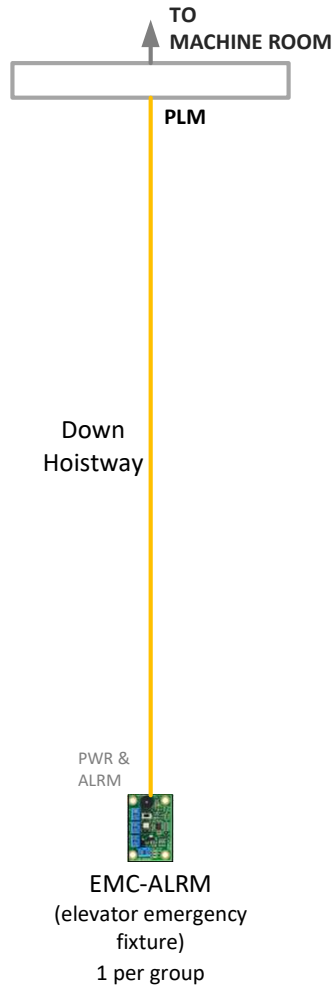
	File	W002 Low-Rise 2019 Code R2.pdf	Last Updated	May 3, 2020
	Subject	For Low-Rise 2019 Code	Revision	2 of 4
	Author	EmerCom Engineering support@emercom.ca	Page	

TELEPHONE ROOM



	File Subject	W002 Low-Rise 2019 Code R2.pdf For Low-Rise 2019 Code	Last Updated	May 3, 2020
	Author	EmerCom Engineering support@emercom.ca	Revision Page	2 of 4


DESIGNATED LANDING



LEGEND

PLM Alarm

————— Shielded CAT-5

	File Subject	W002 Low-Rise 2019 Code R2.pdf For Low-Rise 2019 Code	Last Updated	May 3, 2020
	Author	EmerCom Engineering support@emercom.ca	Revision Page	2 of 4