



EMC-IPL

USER GUIDE

Individual Phone Line Consolidator



Quick start guide

□ 1

Fasten back box to wall in Machine Room or TEL Room and run appropriate wiring/conduit.

A Safe LV supply must be available to power EMC-IPL (120VAC/16.5VAC Class 2 transformer provided by EmerCom) or 16-24VAC; 12-28VDC

□ 2

For each EMC-60 elevator phone, connect:

- EMC-60 TEL to EMC-IPL TO CABS#X on the Right Hand Side
- EMC-60 PLM to EMC-PAC (and/or EMC-ALRM) if Phone Line Monitoring is required

□ 3

Connect EMC-IPL board:

- Machine room phone to EMC-IPL MR or plug into RJ-11 MR PHONE
- Lobby/Remote phone to EMC-IPL EXT
- Phone lines to EMC-IPL TEL LINE
- Class 2 Transformer/PSU to removable PWR IN connector

□ 4

OPERATION

Remote/Machine room phones ON-HOOK

- All calls routed off-site to Central Office

Remote/Machine room phone OFF-HOOK

- Machine room phone calls to car station phone selected (guided by voice menu)

Customer Care: Call 1-844-EMERCOM (1-844-363-7266) for assistance.

Copyright © 2019 by EmerCom Technologies Inc
EMCS User Guide
ALL RIGHTS RESERVED

NOTICE

The information in this document has been carefully checked and is believed to be accurate. However, no responsibility is assumed or implied for inaccuracies. Furthermore, EmerCom Technologies Inc reserves the right to make changes to any products herein described to improve reliability, function or design. EmerCom Technologies Inc does not assume liability arising from the application or use of any product or circuit described herein; neither does it convey any license under its patent rights nor the rights of others.

This manual and all data contained constitute proprietary information of EmerCom Technologies Inc and shall not be reproduced, copied or disclosed to others, or used as the basis for manufacture without written consent of EmerCom Technologies Inc.

Contents

About the EMC-IPL	4
EMC-IPL Connections.....	5
Remote Programming	6
Diagnostics.....	7
Specifications	7
Ordering.....	8
Warranty.....	8

About the EMC-IPL

Description of Operation:

In the event of an entrapment or other emergency, when an elevator occupant presses the “phone” button on the elevator control panel, the elevator phone automatically calls for help. The EMC-IPL routes the call to each elevator’s phone line.

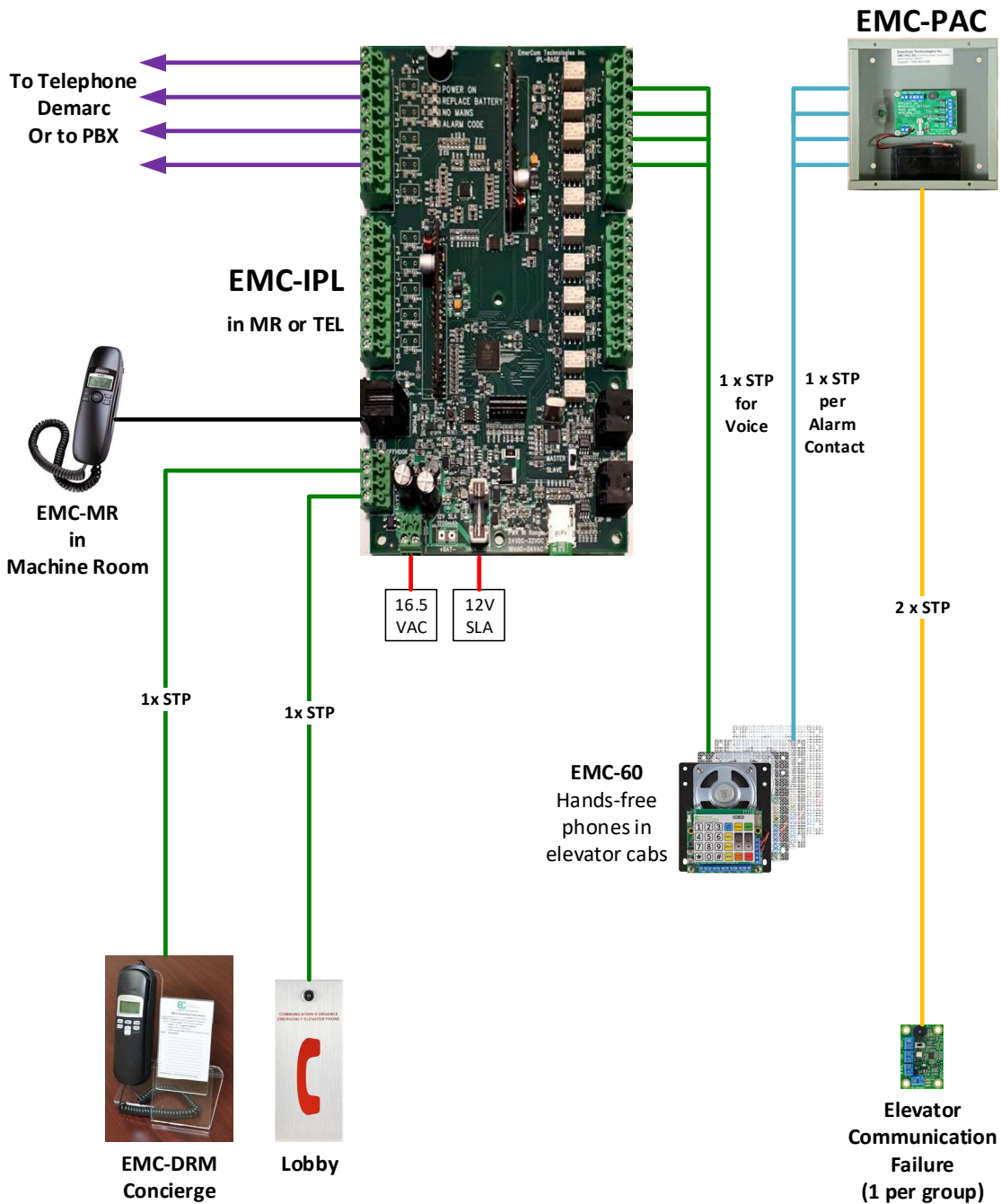
The EMC-IPL can call into any elevator phone from any connected handset guided by the voice prompts, even overriding a call in progress to outside the building in accordance with ASME A17.1/CSA B44 “Safety Code for Elevators and Escalators”. If an on-site conversation is in progress, subsequent on-site handsets will join the active conversation.

Connections are provided for multiple handsets (maximum 10 in parallel).

Key Features:

- Under normal conditions
 - calls from elevator phones are routed to a call centre (on or off-site)
 - any EMC-IPL handset can call into any elevator by following the prompts
- Each elevator phone connects to its own phone line
- 10 Individual Phone Lines per module
- Link up to 9 additional modules for 100 elevators
- Multiple local or remote handsets can call into any elevator
- Override any external call in progress
- Menu driven
- Mount in Telephone Room or Machine Room
- Connections for 1 plug-in machine room phone and 2 wire-in remote handsets in parallel (maximum 5 handsets)
- Wide input voltage range: 16.5-24VAC (Class 2); 12-28VDC (SELV)
- Status LEDs for troubleshooting
- Firmware updates via μ SD card

EMC-IPL Connections



Remote Programming

Description of Operation:

1. Lift a Remote Phone handset. If an internal emergency call is already in-progress, the phone will join the call; otherwise, wait for the prompts to finish
2. Dial 99*
3. Enter access code (default = 1 2 3 4 5)
4. Use the following tables:

Keypad	Equivalent Remote Sequence
PROGRAM	99* + "Access Code"
CANCEL	*1
ENTER	**
REPLAY	#
EXIT	Hang-up

Cmd #	Command	Range	Default
6	Serial Number Playback	Replay only	Pre-set
7	Firmware Version	Replay only	Pre-set
8	Alarm Status Playback	Replay only, one or more of the following "NO MAINS POWER" "NO BATTERY" "DEAD BATTERY" "BATTERY FAULT" "LOW BATTERY" "CHARGING BATTERY" "NORMAL"	N/A
9	Access Code	5 digits; values 1,2,3,4,5,6,7,8,9,0	12345
10	Language	0 = English 1 = French	0
42	Settings Reset	1 = CONFIRM	N/A
43	Factory Reset	1 = CONFIRM	N/A
44	Silence Buzzer	1 = CONFIRM	N/A

Diagnostics

Status indications:

- Power on
- No mains power
- Replace battery
 - Low Capacity (Alarm Code = 1 flash)
 - No battery (Alarm Code = 3 flashes)
 - Dead Battery (Alarm Code = 4 flashes)
 - Charge Failed (Alarm Code = 5 flashes)

Note: if battery is disconnected and not replaced, alarm may take up to a day (depending on charge cycle)

Specifications

Phone Line	One shielded pair of communication cable per cab, minimum #26 AWG, with the shield preferably grounded at the controller end of the traveling cable.
Phone Line Requirements	Standard analog loop start voice grade telephone line.
Number of Phone Lines	10 per module
Number of concurrent calls	10 per module, 1 handset per module (or more but “party-line”)
Capacity (number of handsets)	Connections for 3 (three) per module, up to 10 if wired in parallel
Phone Line Monitoring (PLM)	Independent - from EMC-60 cab phone through optional EMC-PAC PLM Power and Alarm Consolidators with battery backup
AC Transformer (supplied)	120V AC, 60Hz input; 16.5V AC, 37VA output
Other power supply options	16.5-24VAC (Class 2); 12-28VDC (SELV)
Backup Power (Used if AC power is cut off)	12V 1,300mAh rechargeable SLA battery. Replace every 5 years or as required. Emergency calls from Cab still go out if power fails (fail-safe).
Operating Range	0 – 60°C
Dimensions	PCB: 5” wide x 8” high x 1” deep Box: 12” wide x 12” high x 4” deep

Ordering

EMC-IPL

EMC-IPL PCB in a 12"x12"x4" box.

Warranty

SHIPPING AND LIABILITY

Please verify that the shipment is received in good order ASAP.

EmerCom Technologies Inc. warrants parts and labor on all equipment of its own manufacture for a period of 10 years from the date of shipment but cannot be held liable for any loss or damage resulting from causes beyond their reasonable control. Any abuse, vandalism, alteration or misuse of these products for purposes or in a manner other than that for which they were manufactured will void the warranty.

Please return defective products prepaid to your nearest service center after first calling 1-604-589-3899 (or toll-free 1-844-363-7266) for a Return Authorization (RMA) number. Please provide:

- Model number
- Problem or fault description
- Name of the person requesting the RMA, phone number and shipping address

Please reference the RMA number clearly on all packaging and paperwork.

Note: Statistically, more field problems are caused by wiring, connection, power supply or installation issues rather than the devices themselves. Please have your field staff call us from site before concluding that an EmerCom product needs to be returned, to offer you the assistance to resolve the problem most conveniently over the phone.

EmerCom Technologies Inc. shall not be liable for any loss or damage resulting from causes beyond its reasonable control and in no event whatsoever shall we be liable for consequential damages resulting in personal injuries, property damage or economic loss to any party.

Rev: 1p0