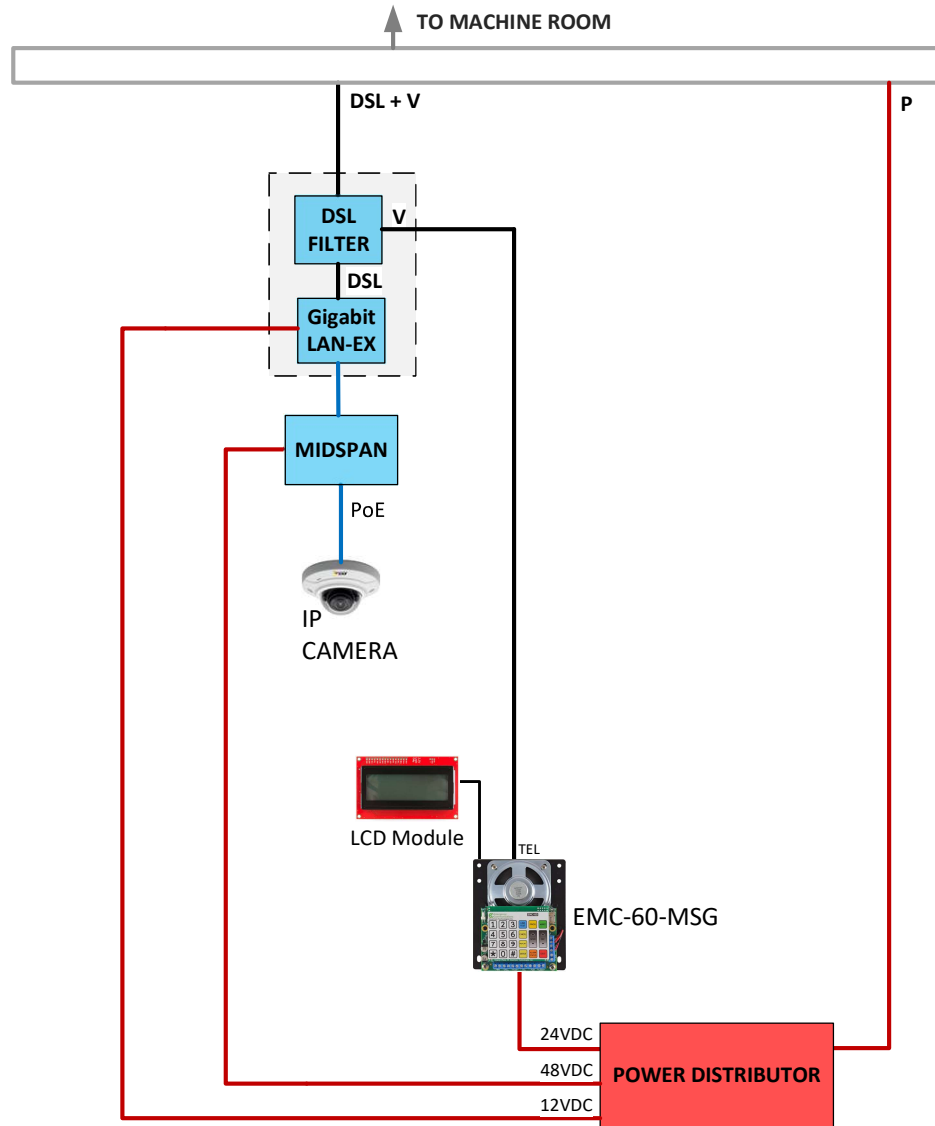






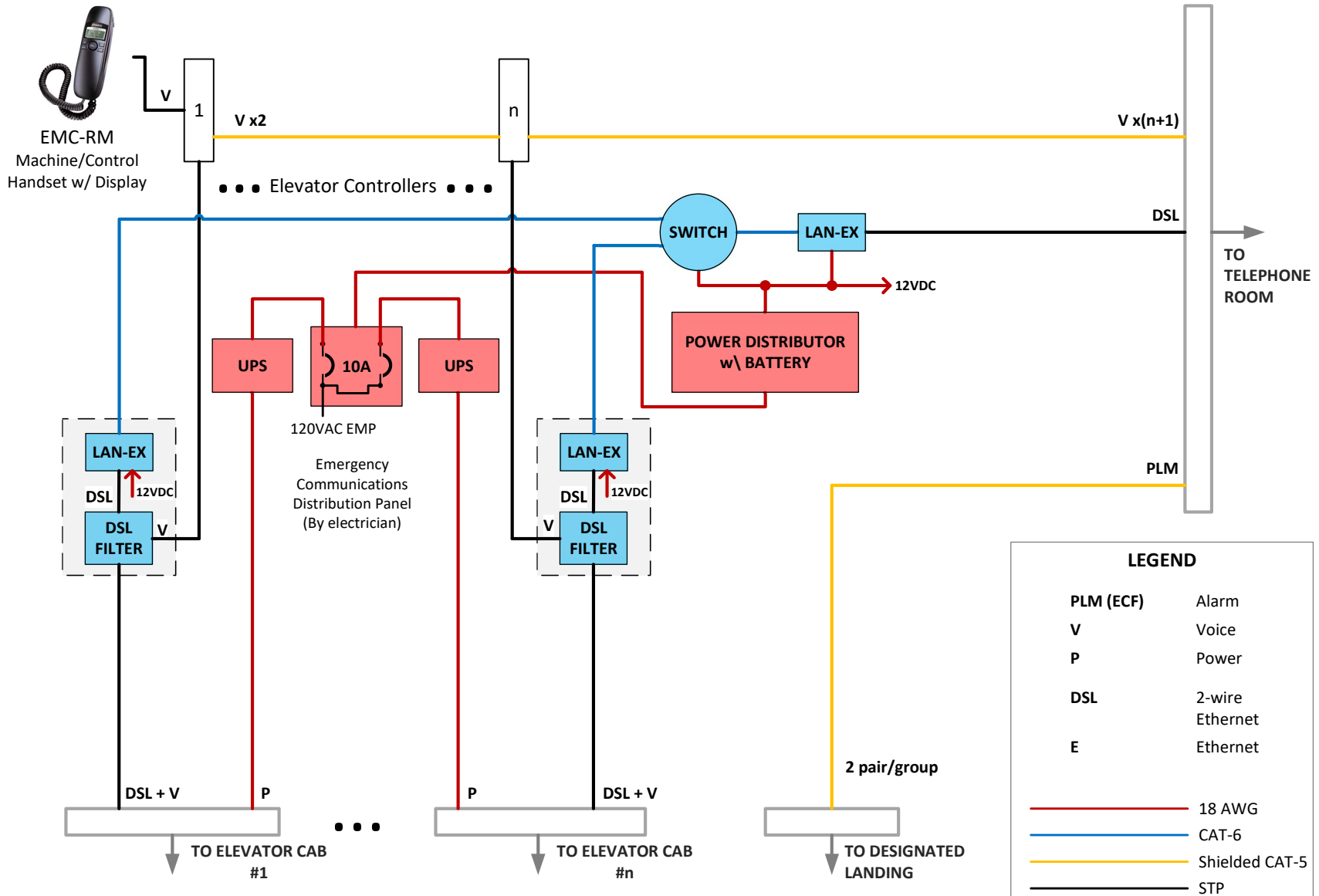
**ELEVATOR CAB**



LEGEND	
V	Voice
P	Power
DSL	2-wire Ethernet
E	Ethernet
	18 AWG
	CAT-6
	STP

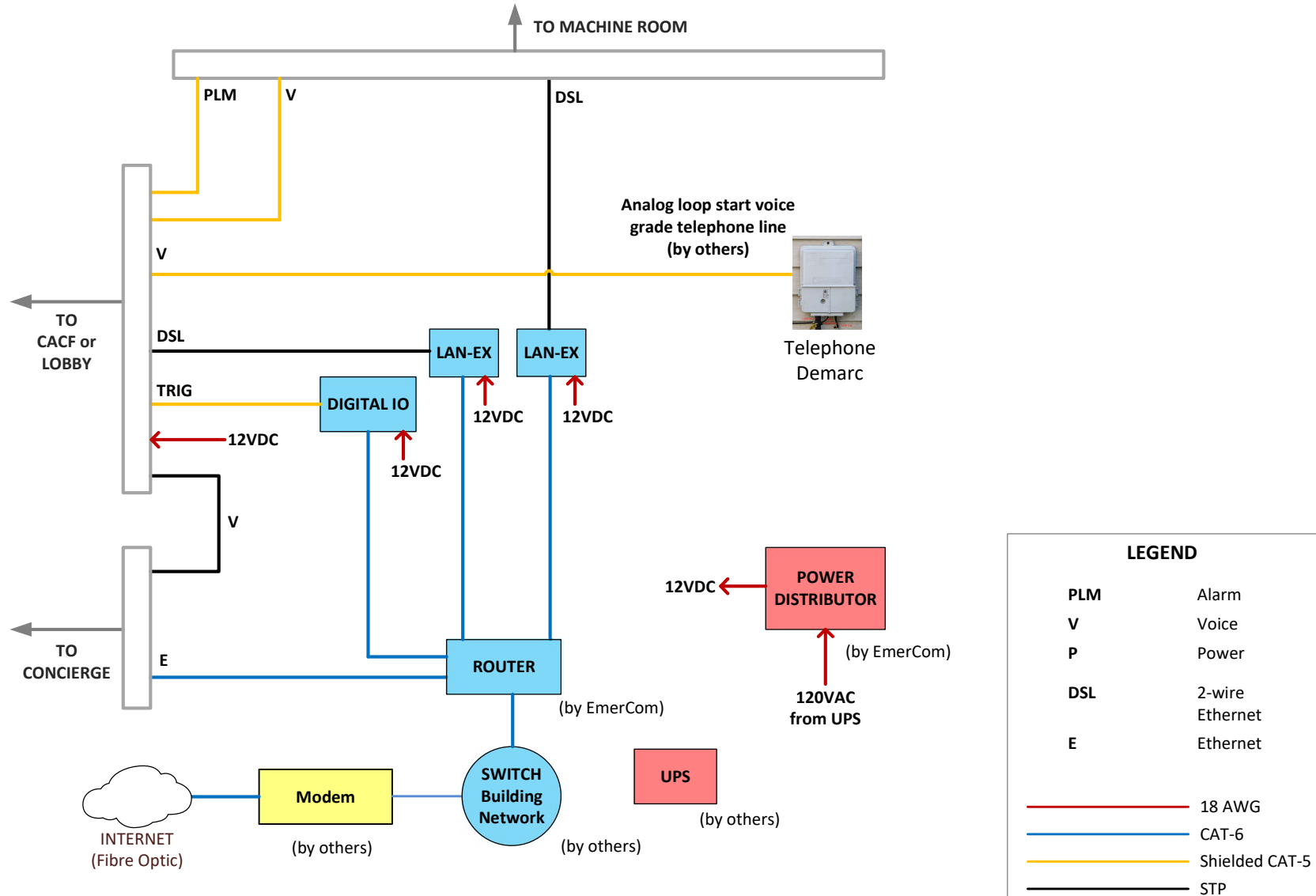
	File Subject	W004 High-Rise 2019 Code R2.pdf For High-Rise 2019 Code	Last Updated	May 12, 2020
	Author	EmerCom Engineering support@emercom.ca	Revision Page	2 of 5

**MACHINE ROOM**



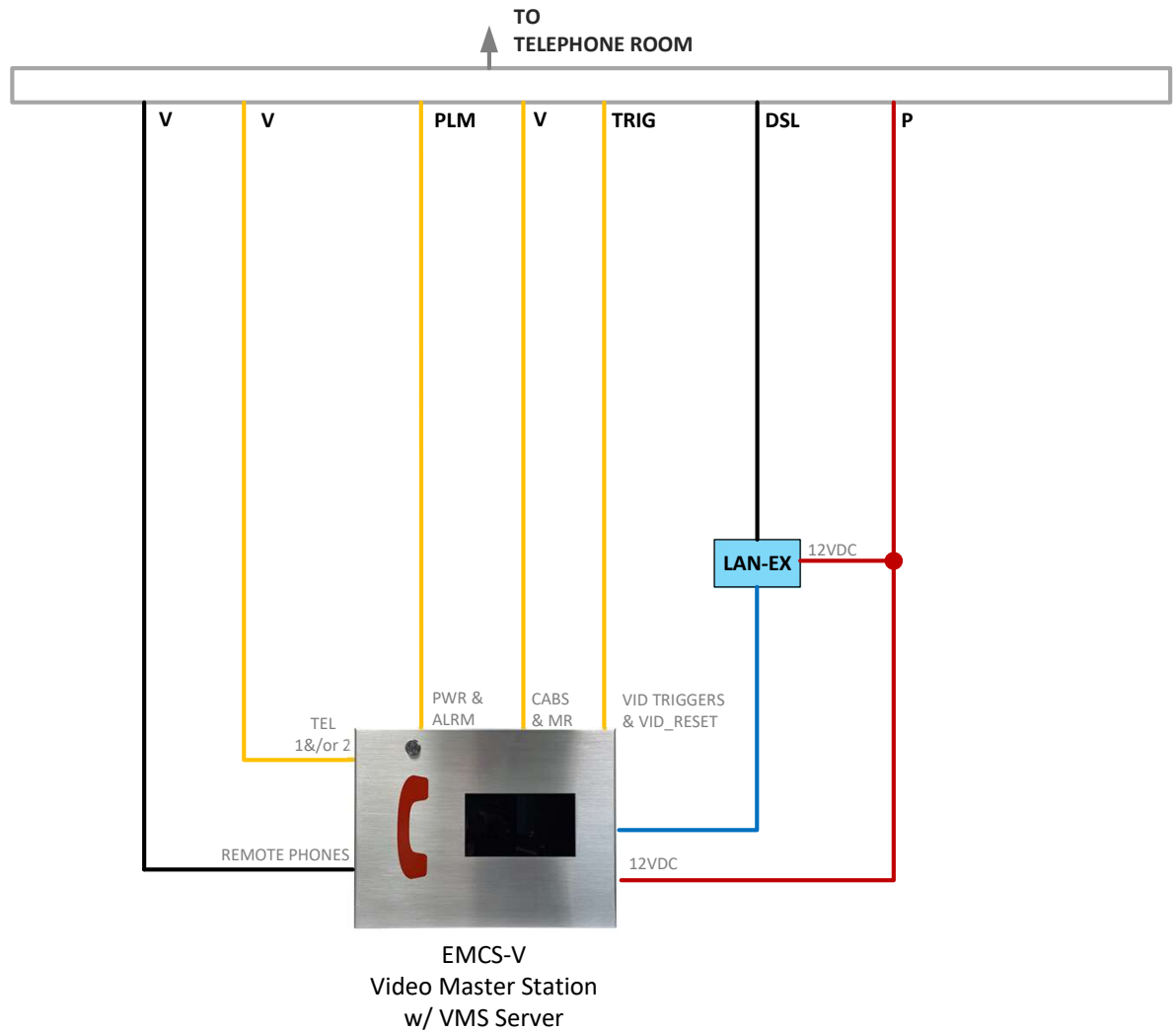
File Subject	W004 High-Rise 2019 Code R2.pdf For High-Rise 2019 Code	Last Updated	May 12, 2020	
Author	EmerCom Engineering support@emercom.ca	Revision Page	2 of 5	





**TELEPHONE ROOM**




	File	W004 High-Rise 2019 Code R2.pdf	Last Updated	May 12, 2020
	Subject	For High-Rise 2019 Code		
	Author	EmerCom Engineering support@emercom.ca	Revision Page	2 of 5

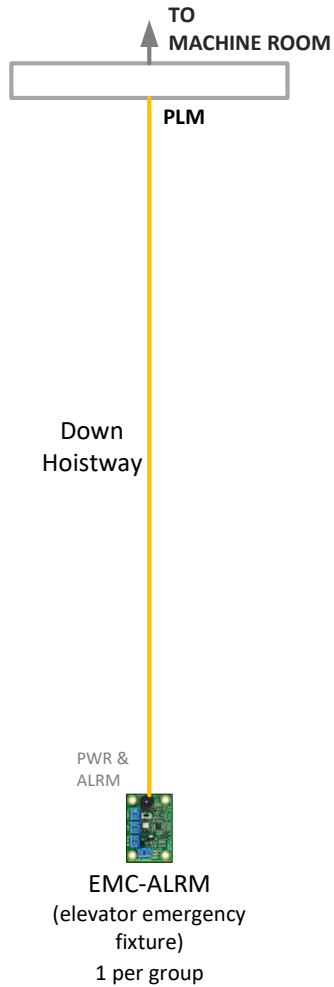
**CACF or LOBBY**



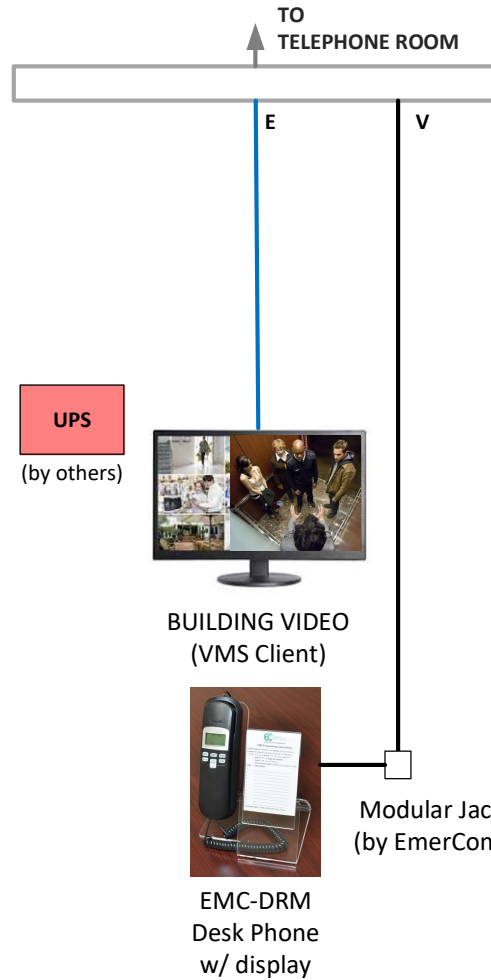
LEGEND	
<b>PLM</b>	Alarm
<b>V</b>	Voice
<b>P</b>	Power
<b>DSL</b>	2-wire Ethernet
<b>E</b>	Ethernet
<b>TRIG</b>	I/O
	18 AWG
	CAT-6
	Shielded CAT-5
	STP




	File Subject	<b>W004 High-Rise 2019 Code R2.pdf For High-Rise 2019 Code</b>	Last Updated	<b>May 12, 2020</b>
	Author	EmerCom Engineering support@emercom.ca	Revision Page	<b>4      2 of 5</b>


**DESIGNATED LANDING**



**CONCIERGE DESK**



LEGEND	
PLM	Alarm
V	Voice
DSL	2-wire Ethernet
E	Ethernet
 CAT-6  Shielded CAT-5  STP	

	File Subject	W004 High-Rise 2019 Code R2.pdf For High-Rise 2019 Code	Last Updated	May 12, 2020
	Author	EmerCom Engineering support@emercom.ca	Revision Page	2 of 5